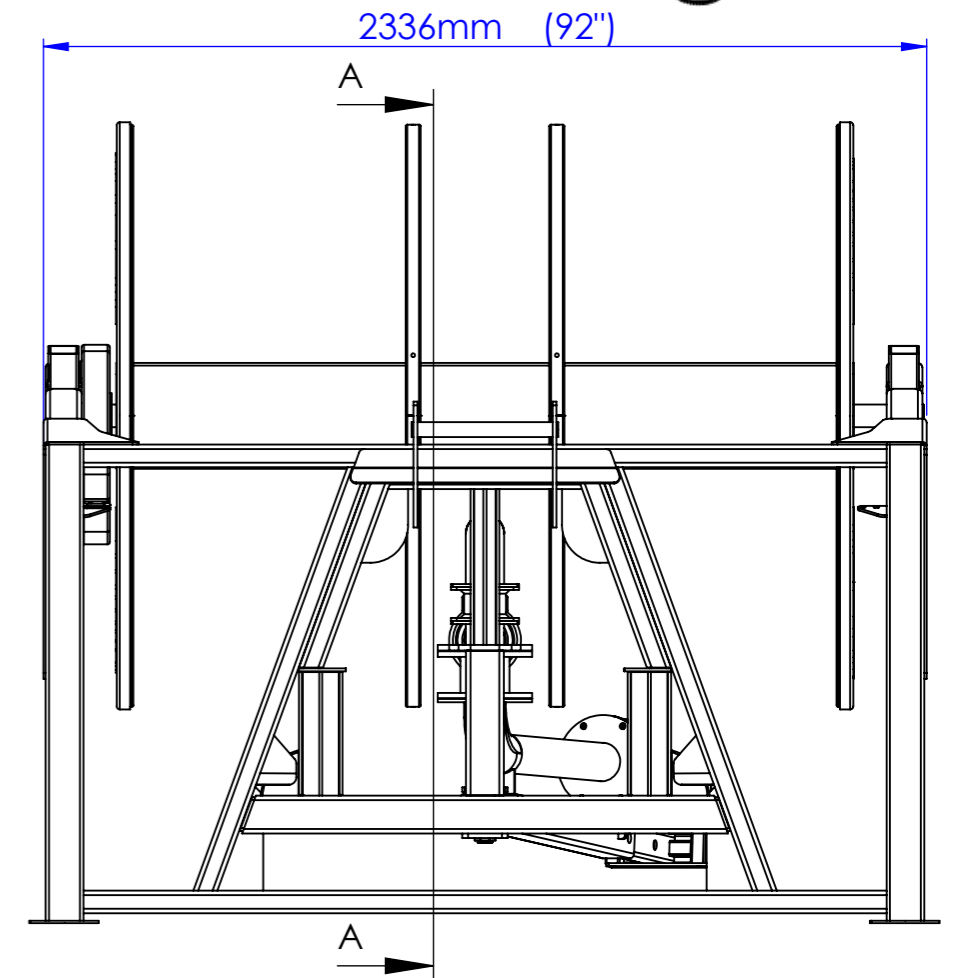
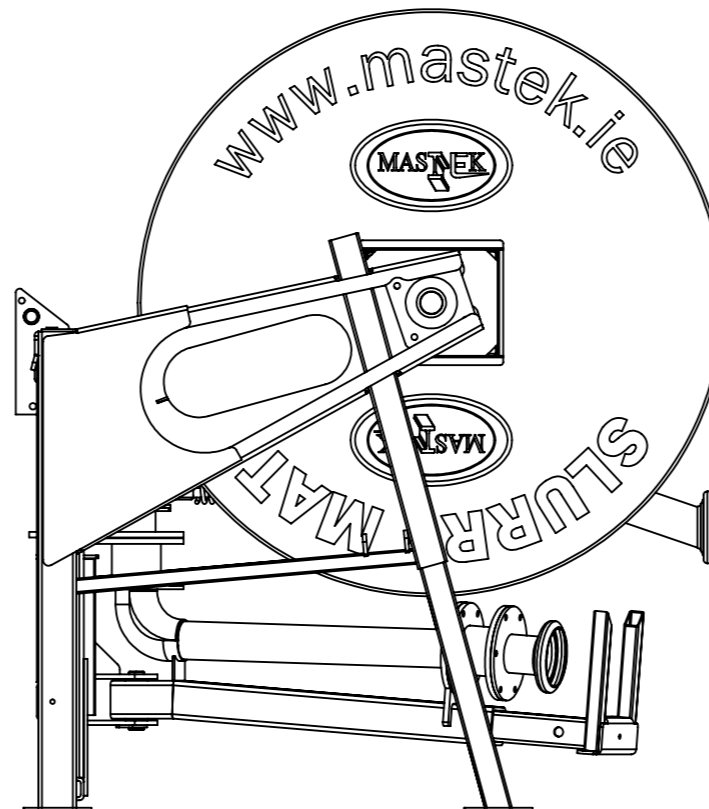
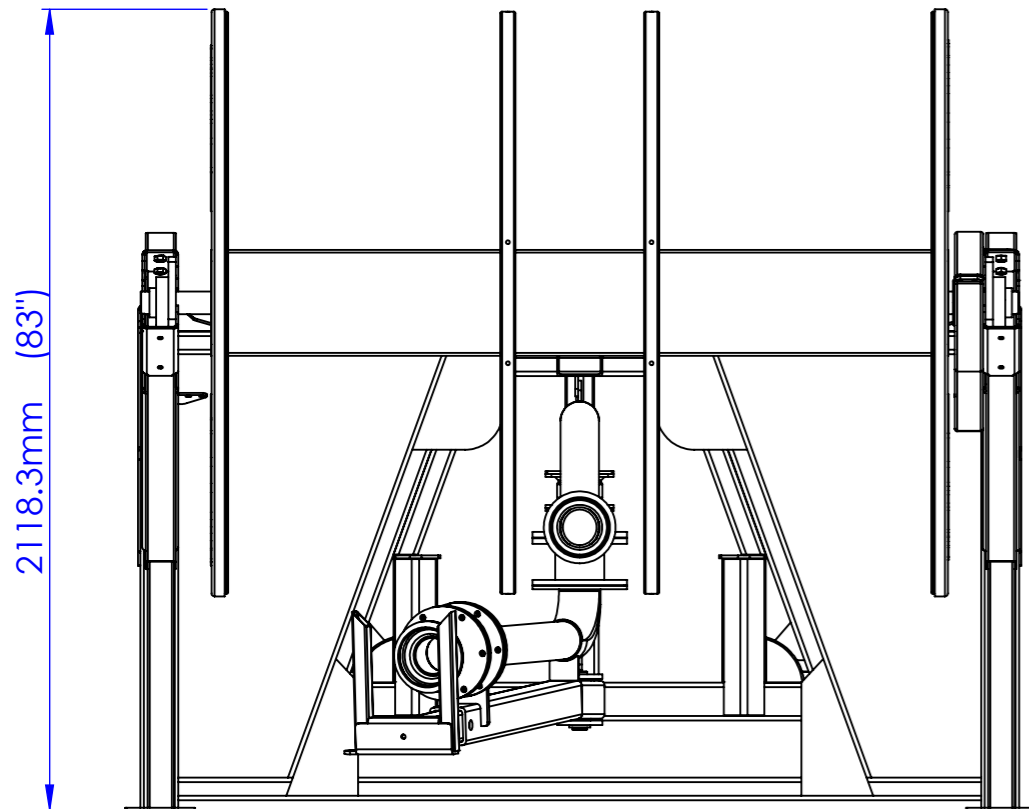
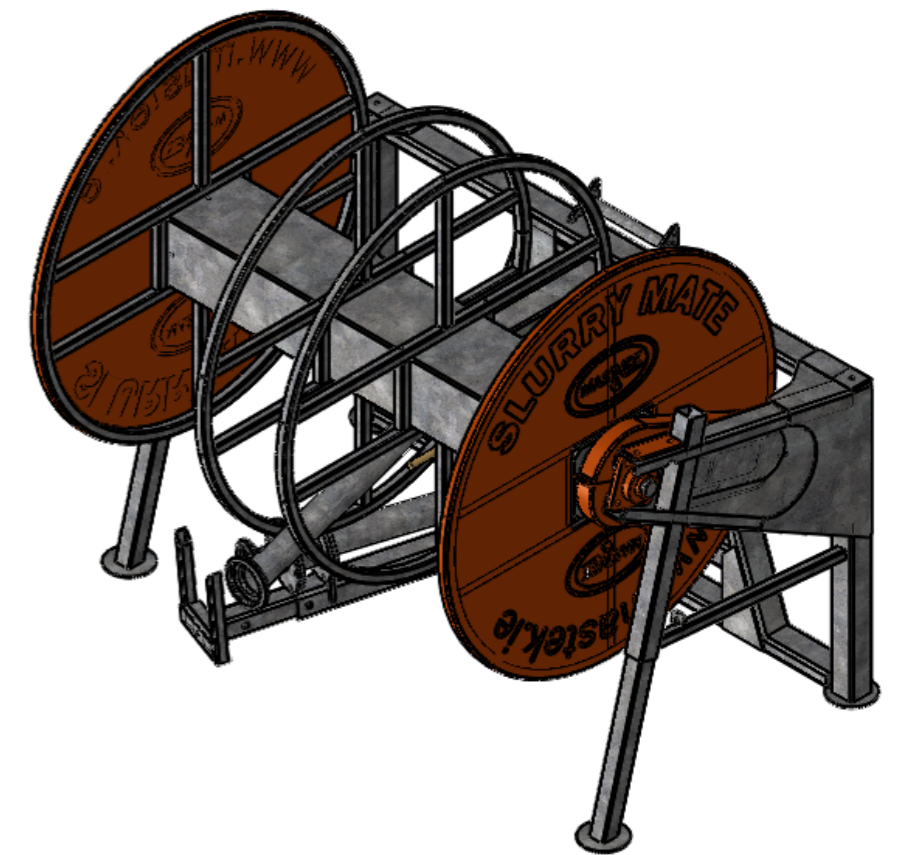
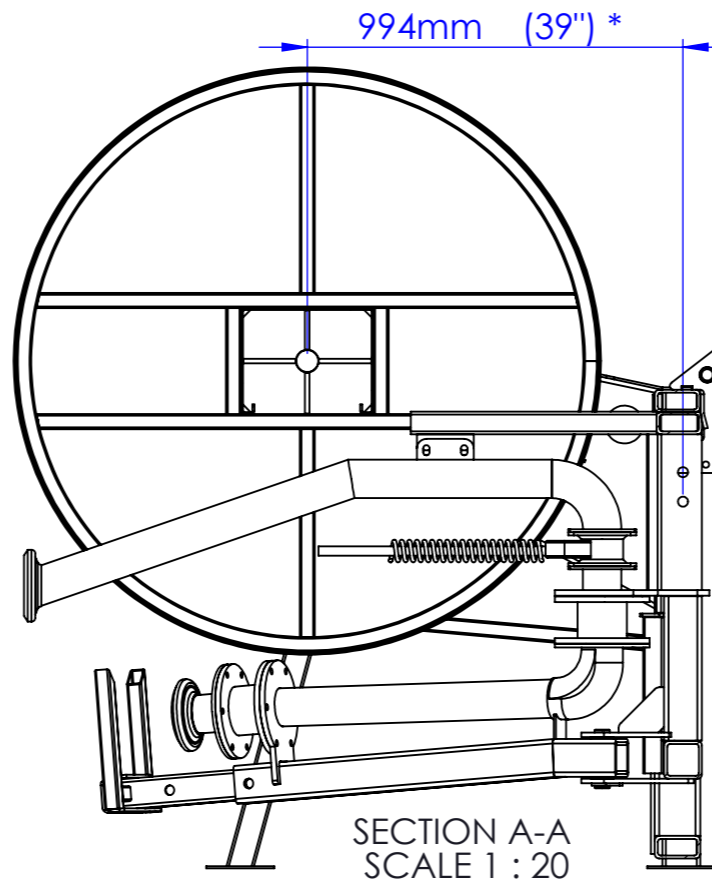


# 1000m QUICK RELEASE REELER

**TOTAL WEIGHT: 940 Kg**  
**A-FRAME ASSEMBLY WEIGHT: 670 Kg**  
**3-POINT LINKAGE WEIGHT: 270 Kg**  
**(EACH 200m HOSING WEIGHS 230 Kg)**

\* DISTANCE BETWEEN 3-POINT LINKAGE AND CENTRE OF REEL



© Copyright Mastek Limited 2012



Drawn By:  
*Les Smith*

Date:  
*20/11/12*

Dimensions:  
*mm*

General Tolerance  
 $\pm 0.1\text{mm}$

Scale:  
*N.T.S.*

Page:  
*1 of 1*

Material:  
*N/A*

Finish:  
*Galvanised*

Project:  
*Q-R REEL*

Weight:  
*T.B.C.*

**Mastek Limited**, Cootehill Business Park, Cootehill, Co.Cavan  
 Phone: 049 5555 953 Fax: 049 5555 954  
 Email: Mastek@eircom.net Website: www.mastek.ie

Projection:

Qty:  
*1*

Description:  
*1000m Quick Release Reeler*

Part Number:  
*DMRS0001-01*