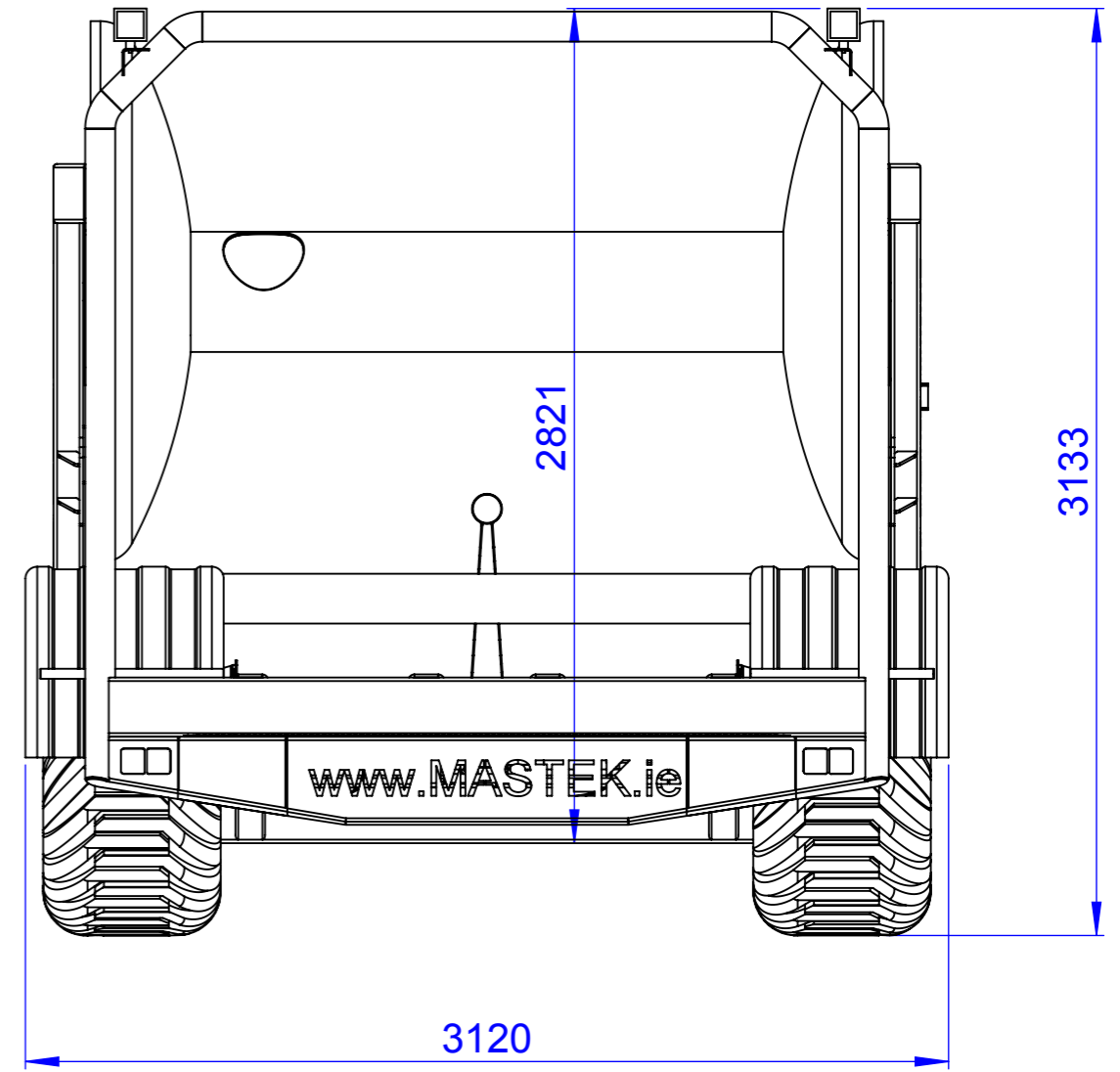
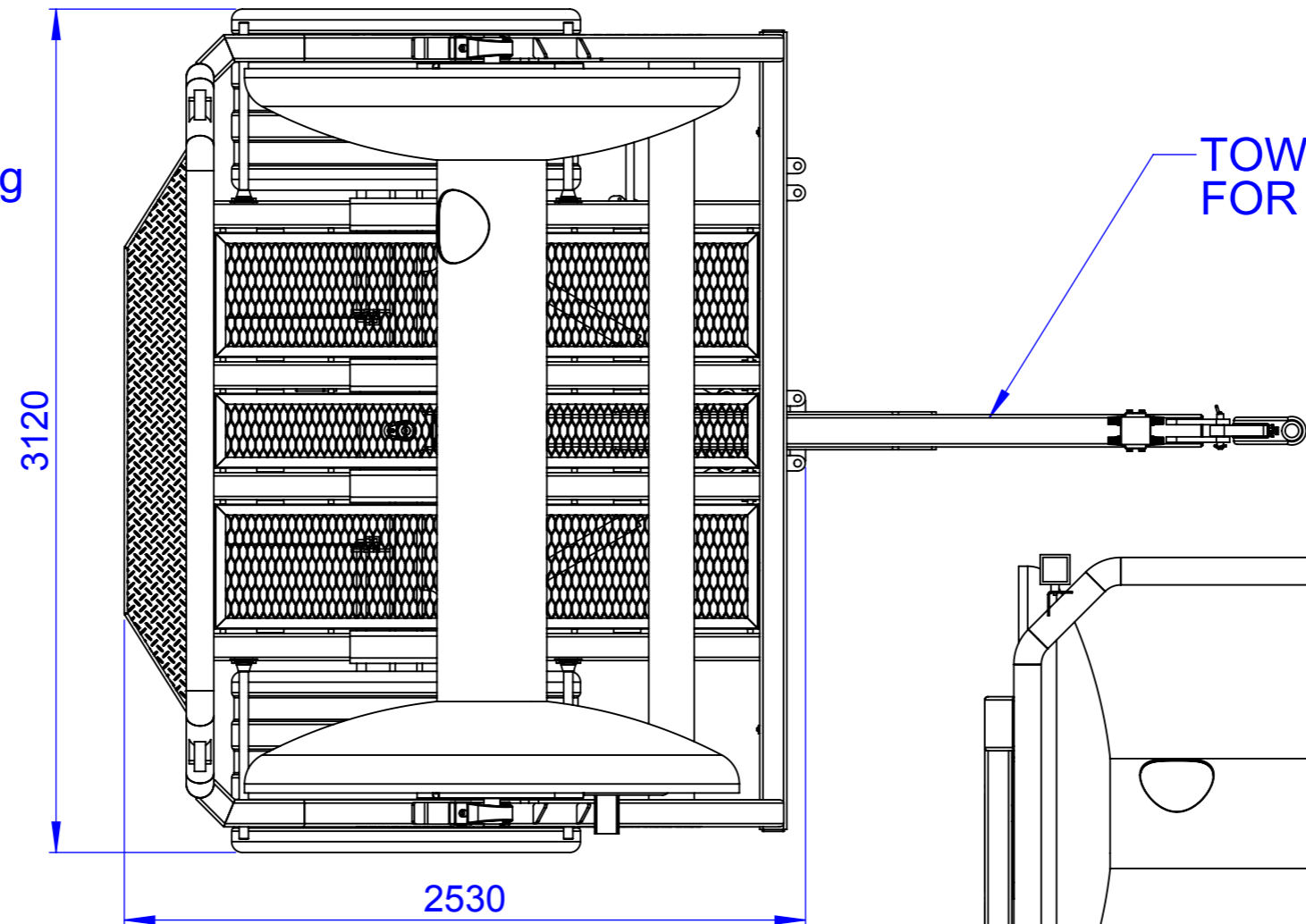
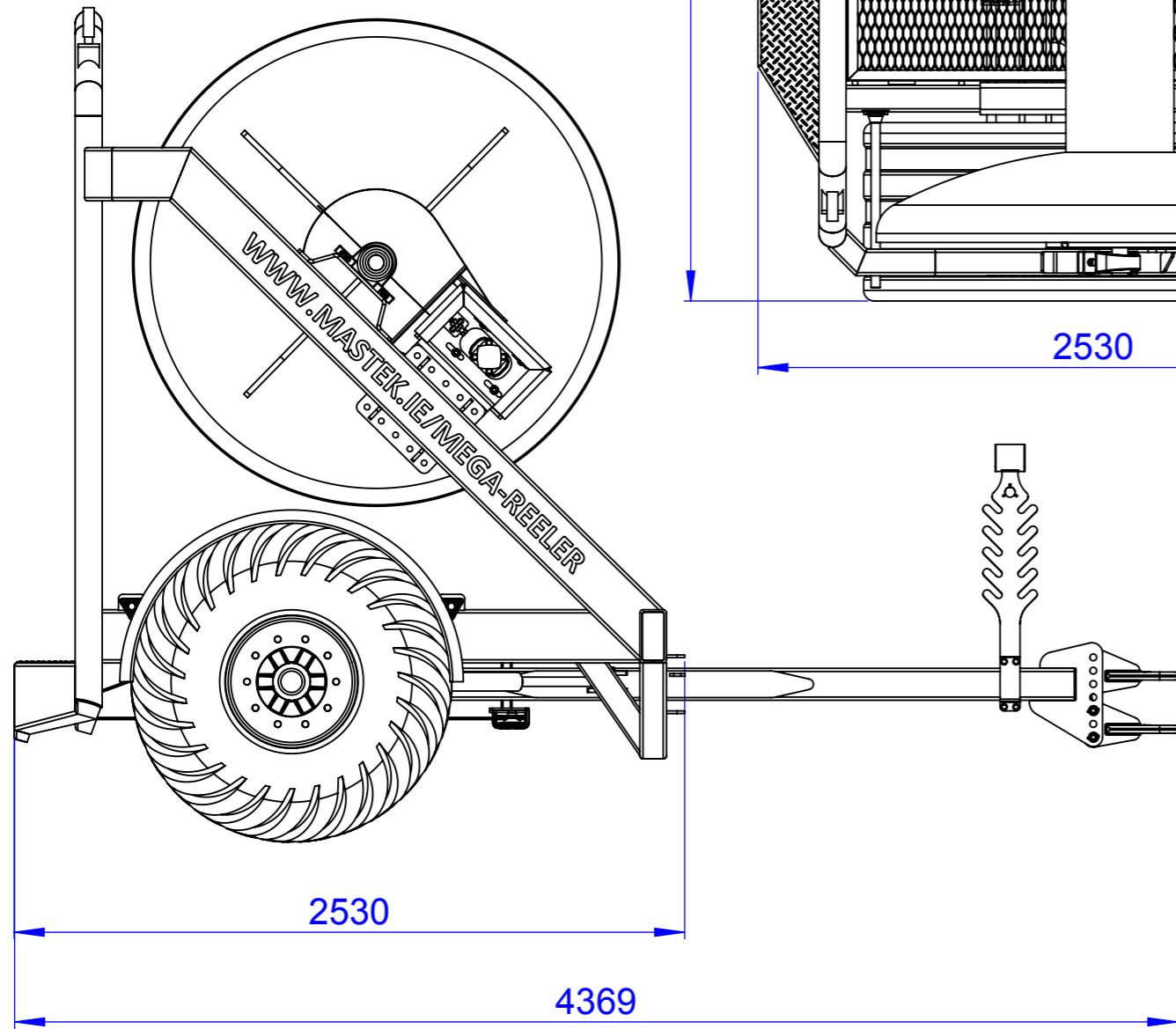
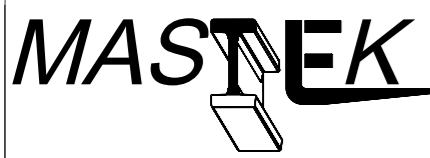


REELER WEIGHT: 3480 Kg  
 2400m 5" HOSE WEIGHT: 3400 Kg  
 TOTAL WEIGHT: 6880 Kg



© Copyright Mastek Limited 2015



Drawn By: <b>Les Smith</b>	Date: 04/12/2015	Dimensions: <i>mm</i>	General Tolerance: ± 0.1mm	Scale: <i>N.T.S.</i>	Page: 1 of 1	Material: Various	Finish: N/A	Project: SM3	Weight: 6880 Kg
<b>Mastek Limited</b> , Cootehill Business Park, Cootehill, Co.Cavan Phone: 049 5555 953 Fax: 049 5555 954 Email: enquiries@mastek.ie Website: www.mastek.ie					Projection: 	Qty: 2	Description: <b>Shipping Dimensions</b>		Part Number: <b>SM3A0029-01-A</b>