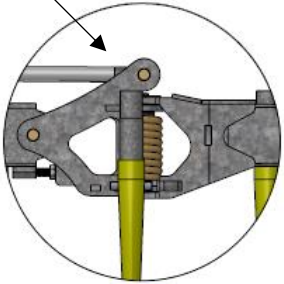
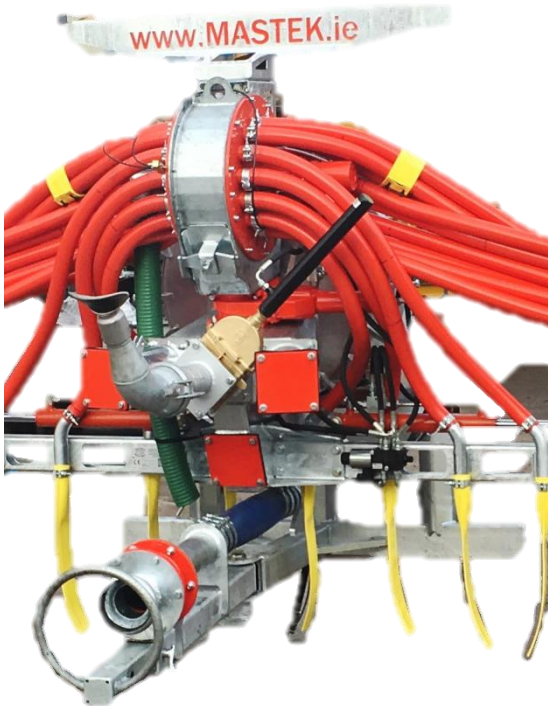
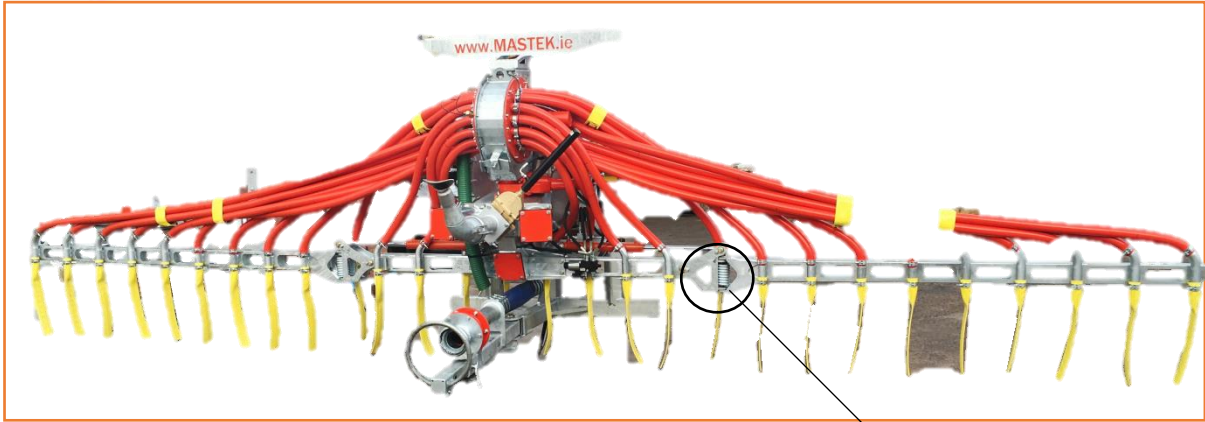


# Mastek Universal Tank Mounted Dribble Bar



- Fits any tanker
- Hydraulic folding mechanism
- Integrated macerator
- Spring loaded hinged arms
- Bolt on retro fit – no welding required
- Lightweight and durable
- Existing splash plate can be attached.

Optional Extra:  
 3-point linkage umbilical attachment

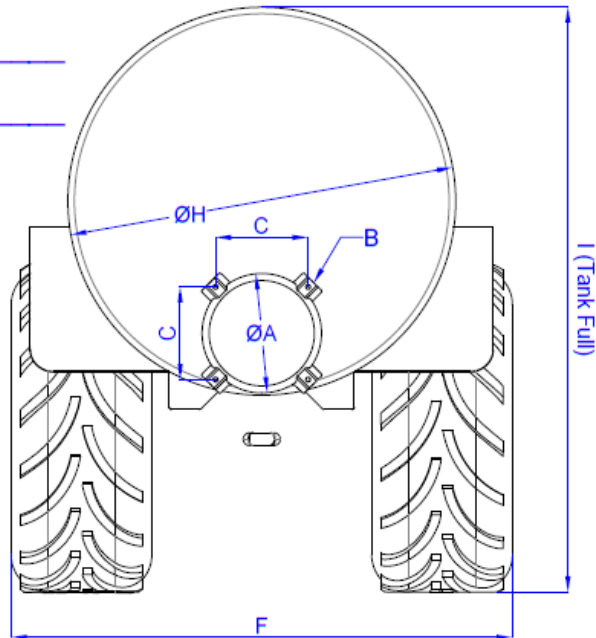
**Product Specifications**

<b>Working Width</b>	7.5m
<b>Transport Width</b>	2.5m
<b>Wing Pivot</b>	105
<b>Height</b>	3.45m
<b>No. of Outlets</b>	28
<b>Weight</b>	425kg

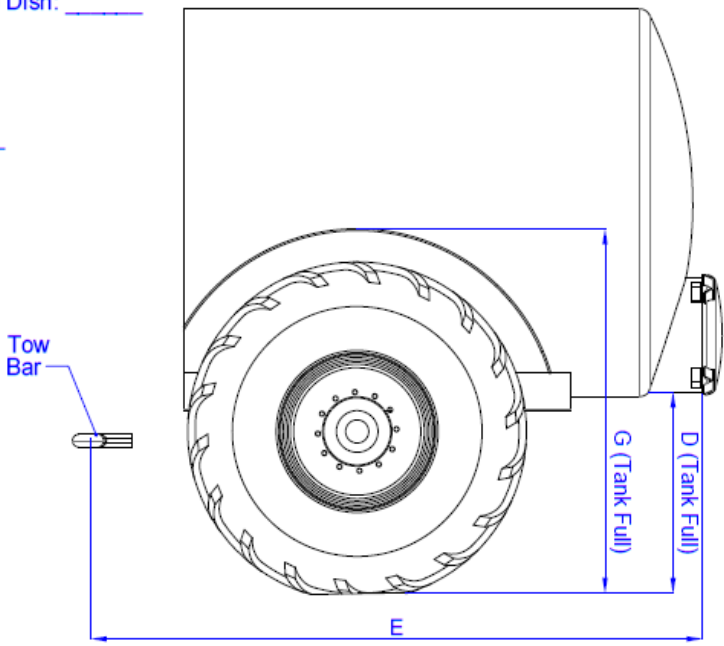


# Mastek Universal Tank Mounted Dribble Bar

Customer Name: \_\_\_\_\_  
 Contact Number: \_\_\_\_\_  
 Tank Manufacturer: \_\_\_\_\_  
 Model Number: \_\_\_\_\_  
 Capacity: \_\_\_\_\_ (Gal)



A - Dish Diameter: \_\_\_\_\_  
 B - Number of Brackets: \_\_\_\_\_  
 C - Retaining Pin Centres: \_\_\_\_\_  
 D - Height From Ground (When Full): \_\_\_\_\_  
 E - Distance From Tow Bar To Dish: \_\_\_\_\_  
 F - Overall Width: \_\_\_\_\_  
 G - Height: \_\_\_\_\_  
 H - Tank Diameter: \_\_\_\_\_  
 I - Overall Height: \_\_\_\_\_



Mastek Ltd.  
 Cootehill Business Park  
 Cootehill, Co. Cavan  
 Ireland, H16DX45

Tel. +353 49555953  
 Fax. +353 49555954

E-mail, [enquiries@mastek.ie](mailto:enquiries@mastek.ie)  
 Website, [www.mastek.ie](http://www.mastek.ie)  
 Facebook, see Slurry Mate