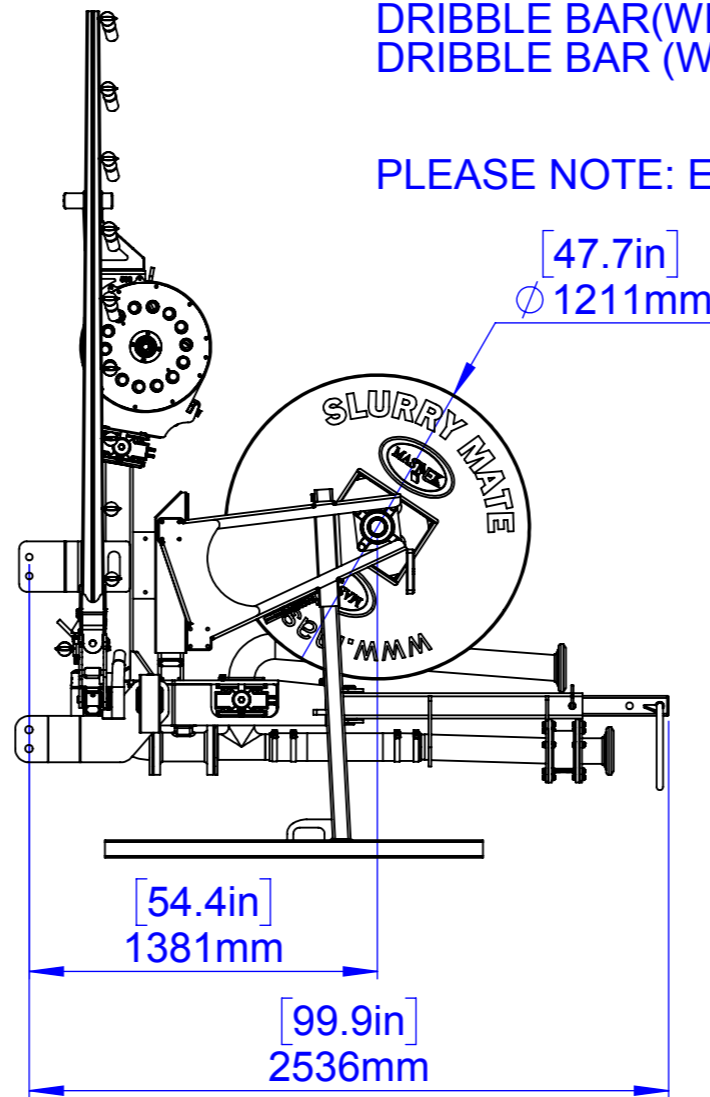
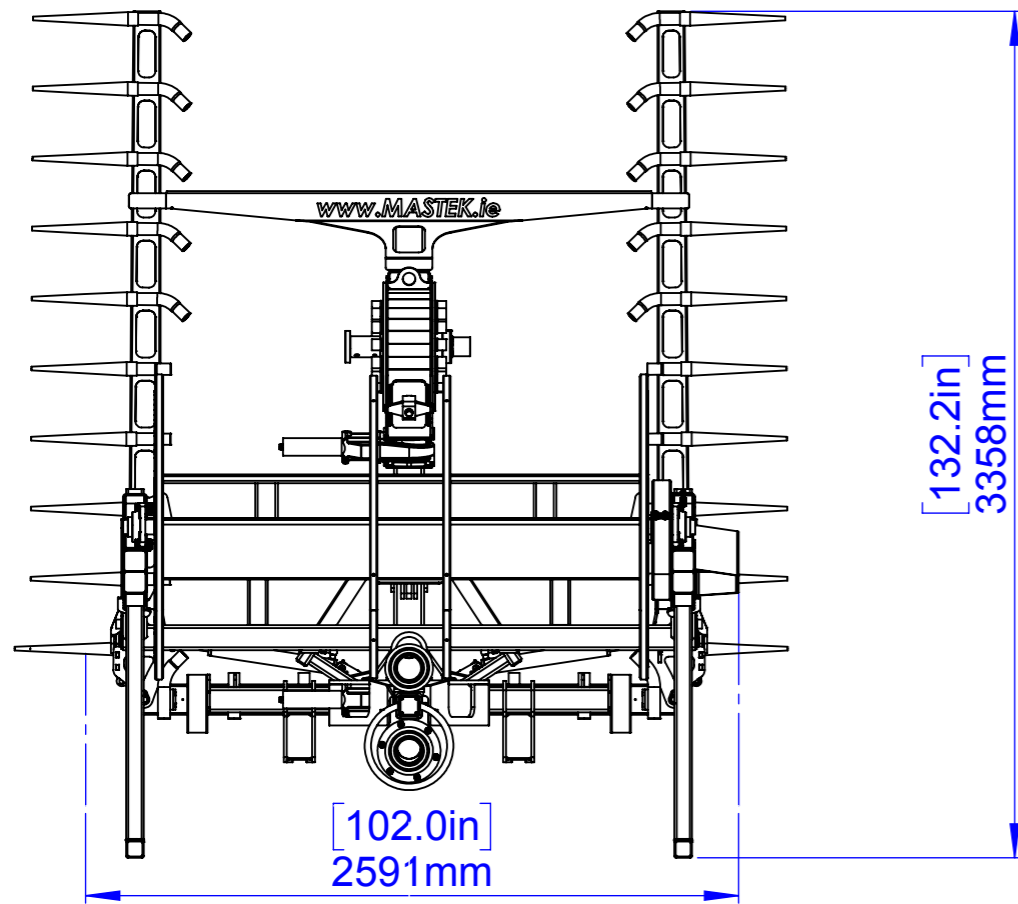
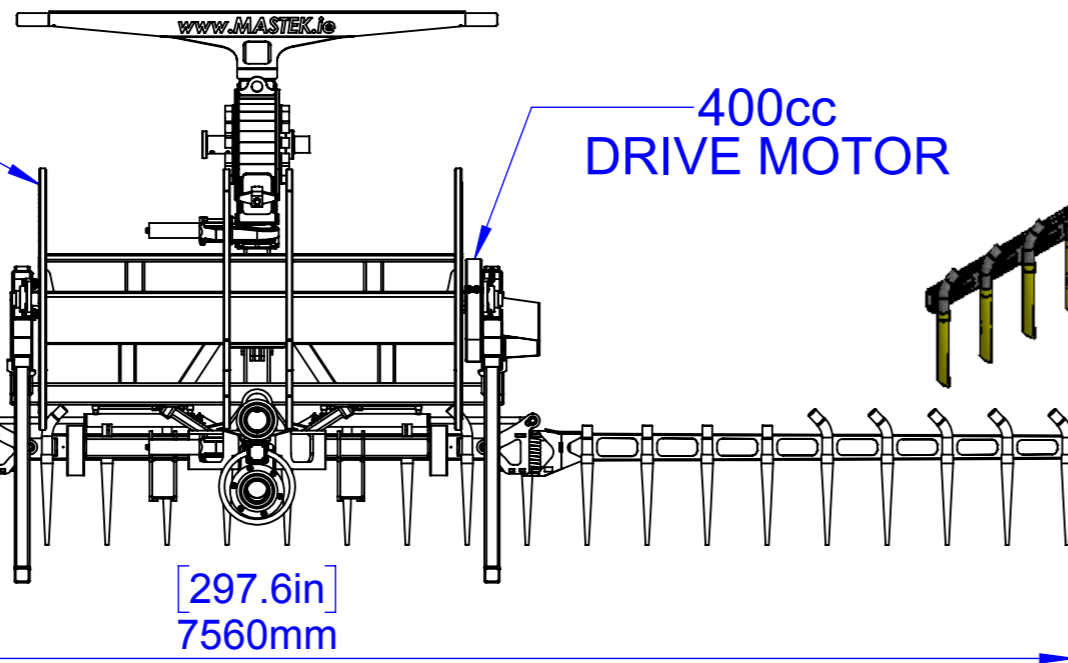


DRIBBLE BAR FRAME (NO REELER) WEIGHT: 830 Kg (EMPTY)  
 DRIBBLE BAR(WITH REELER) WEIGHT: 1425 Kg (EMPTY)  
 DRIBBLE BAR (WITH REELER) WEIGHT: 2345 Kg (WITH 800m OF 4" HOSE)

PLEASE NOTE: EACH 200m LENGTH OF 4" HOSE WEIGHS 230 Kg



800m REELER CAPACITY



MACERATOR (28 HOLE OUTLET) ISOLATED BY CAST IRON GATE VALVE #1

SPLASH PLATE ISOLATED BY CAST IRON GATE VALVE #2

SWIVEL ARM

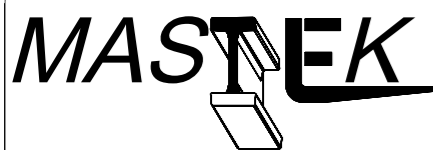
FIBREGLASS REEL ENDS

ROAD LIGHT KIT

RETRACTABLE LEGS

800m REELER (WITH STORZ) 595 Kg (EMPTY)

© Copyright Mastek Limited 2016



Drawn By:  
Les Smith

Date:  
09/08/2016

Dimensions:  
mm

General Tolerance:  
± 0.1mm

Scale:  
N.T.S.

Page:  
1 of 1

Material:  
Various

Finish:  
Galvanised

Project:  
SM8

Weight:  
1425 Kg

Mastek Limited, Cootehill Business Park, Cootehill, Co.Cavan  
 Phone: 049 5555 953 Fax: 049 5555 954  
 Email: enquiries@mastek.ie Website: www.mastek.ie



Qty:  
1

Description:  
7.5m Dribble Bar (Integrated Reeler)

Part Number:  
SM8A0021-01-A