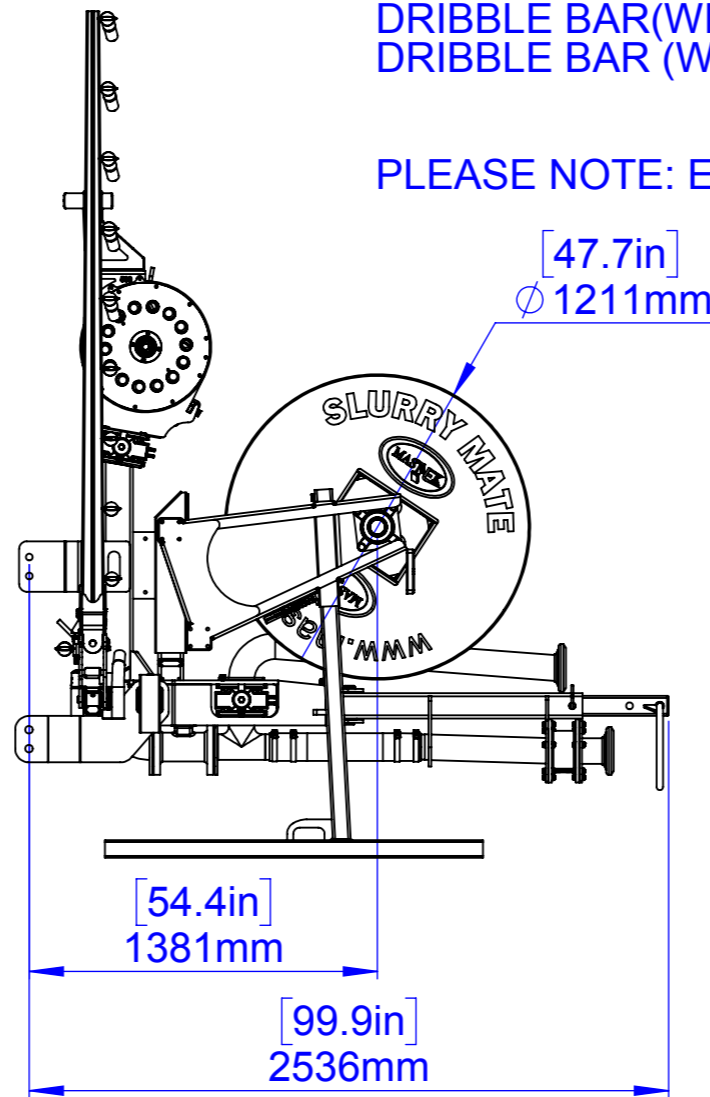
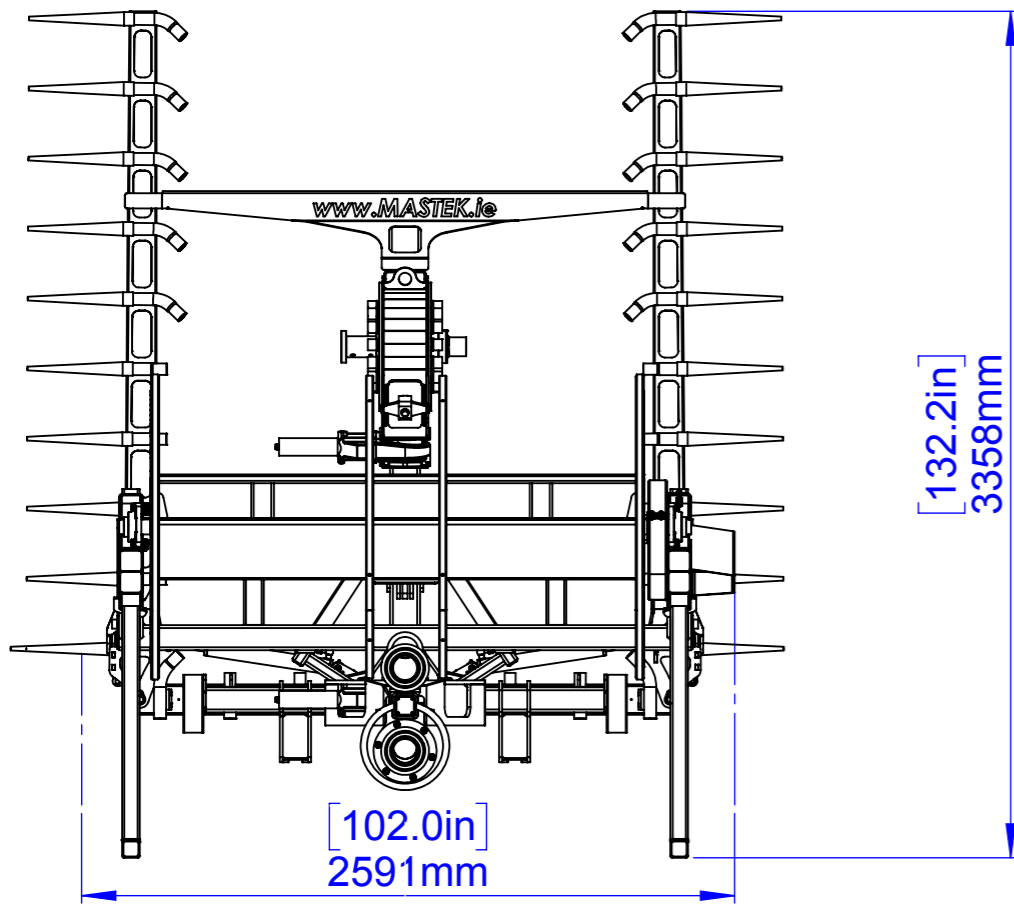
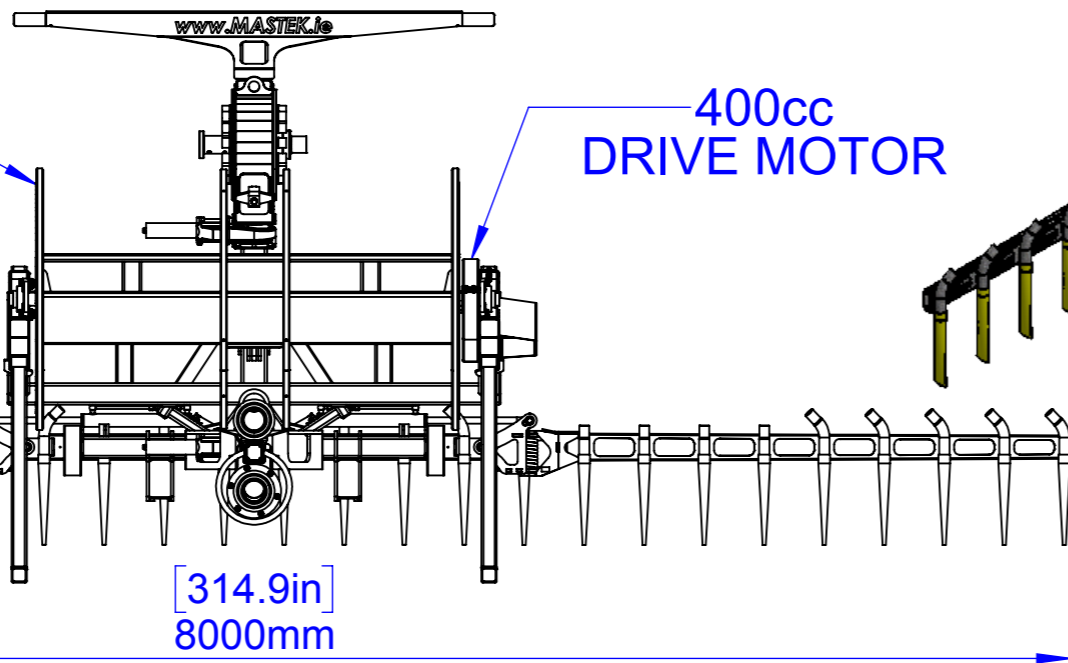


DRIBBLE BAR FRAME (NO REELER) WEIGHT: 830 Kg (EMPTY)
 DRIBBLE BAR(WITH REELER) WEIGHT: 1425 Kg (EMPTY)
 DRIBBLE BAR (WITH REELER) WEIGHT: 2345 Kg (WITH 800m OF 4" HOSE)

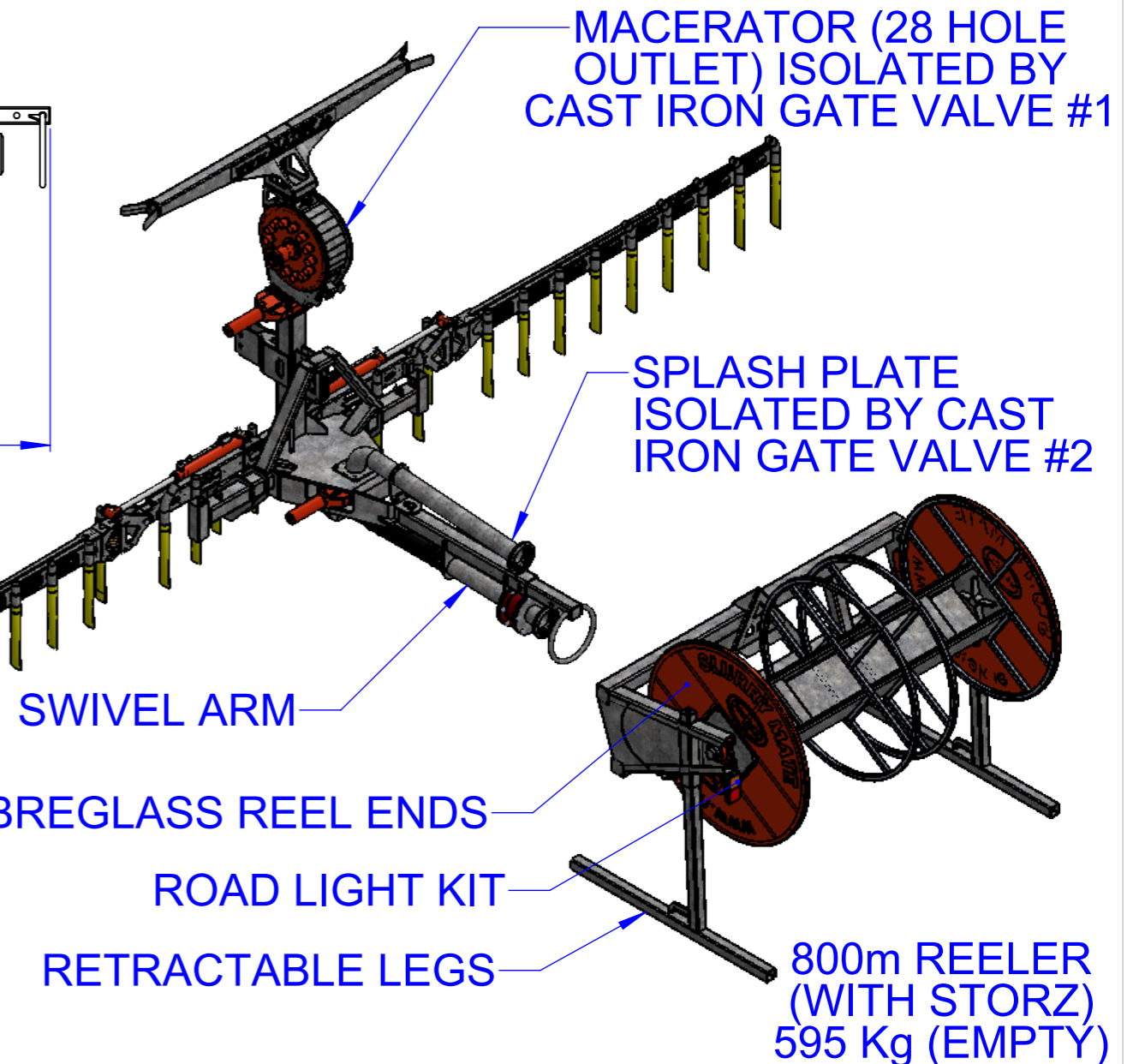
PLEASE NOTE: EACH 200m LENGTH OF 4" HOSE WEIGHS 230 Kg



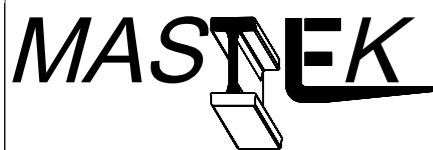
800m REELER CAPACITY



400cc DRIVE MOTOR



© Copyright Mastek Limited 2016



Drawn By:
Les Smith

Date:
09/08/2016

Dimensions:
mm

General Tolerance:
± 0.1mm

Scale:
N.T.S.

Page:
1 of 1

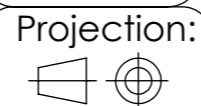
Material:
Various

Finish:
Galvanised

Project:
SM8

Weight:
1425 Kg

Mastek Limited, Cootehill Business Park, Cootehill, Co.Cavan
 Phone: 049 5555 953 Fax: 049 5555 954
 Email: enquiries@mastek.ie Website: www.mastek.ie



Qty:
1

Description:
8m Dribble Bar (Integrated Reeler)

Part Number:
SM8A0021-01-A